



Sensata Technologies

ROCB SERIES



Autorisierter Distributor:

Neumüller Elektronik GmbH | Gewerbegebiet Ost 7 | D-91085 Weisendorf
Tel. +49 9135 73666-0 | info@neumueller.com | www.neumueller.com



REMOTE OPERATED CIRCUIT BREAKER

The remote operated circuit breaker consists of a custom designed remote operated motor module (housed within a circuit breaker molding) coupled to a hydraulic-magnetic circuit breaker. The remote operated circuit breaker (ROCB) offers the convenience of remote ON, OFF, and Reset capability combined with the safety and accuracy of a standard magnetic current sensing device. This allows operation of the circuit breaker from various locations in a system, facility or site without sacrificing the ability to manually operate the breaker if required. Service, diagnostics, load shedding and power distribution control functions can now be performed in areas that were previously unattended or inaccessible.



Features

- Switch and trip indication
- Standard 35mm rail mounting
- Precise overload protection
- Integrated auxiliary signals (active/passive)
- Manual priority
- Remote/on-site/maintenance mode
- Wide range of operating voltages
- Anti-interference control signal
- Failsafe function
- Power failure memory function
- Self-recovery function
- Status indication
- Anti-static/surge/pulse

SPECIFICATIONS

Motor

Rated operating voltage	Voltage range
110VDC	77VDC-137.5VDC

Technical

Breaker Poles	1-3 poles
Life Cycle	10,000 times, 3 times per minute
Voltage	80VDC, 110VDC, 240VAC, 415VAC
Current	63A Max
Vibrations and Shocks	MIL-STD-202, IEC 61373
Venting	Sealed, non-sealed
Fire and Smoke Certifications	NFPA130, EN45545-2
Agency approval	UL1077, GB14048.2 TUV60947-2, IEC 60077-1: 2017, EN 50155:2017

Switching Time	< 1 second
Operating Temperature	-20 to +60 °C
Control Signal	110VDC (350~650) ms Square-wave pulse
Operating Current (Peak)	110VDC 0.25A 1S 25W
Static Current	< 30mA

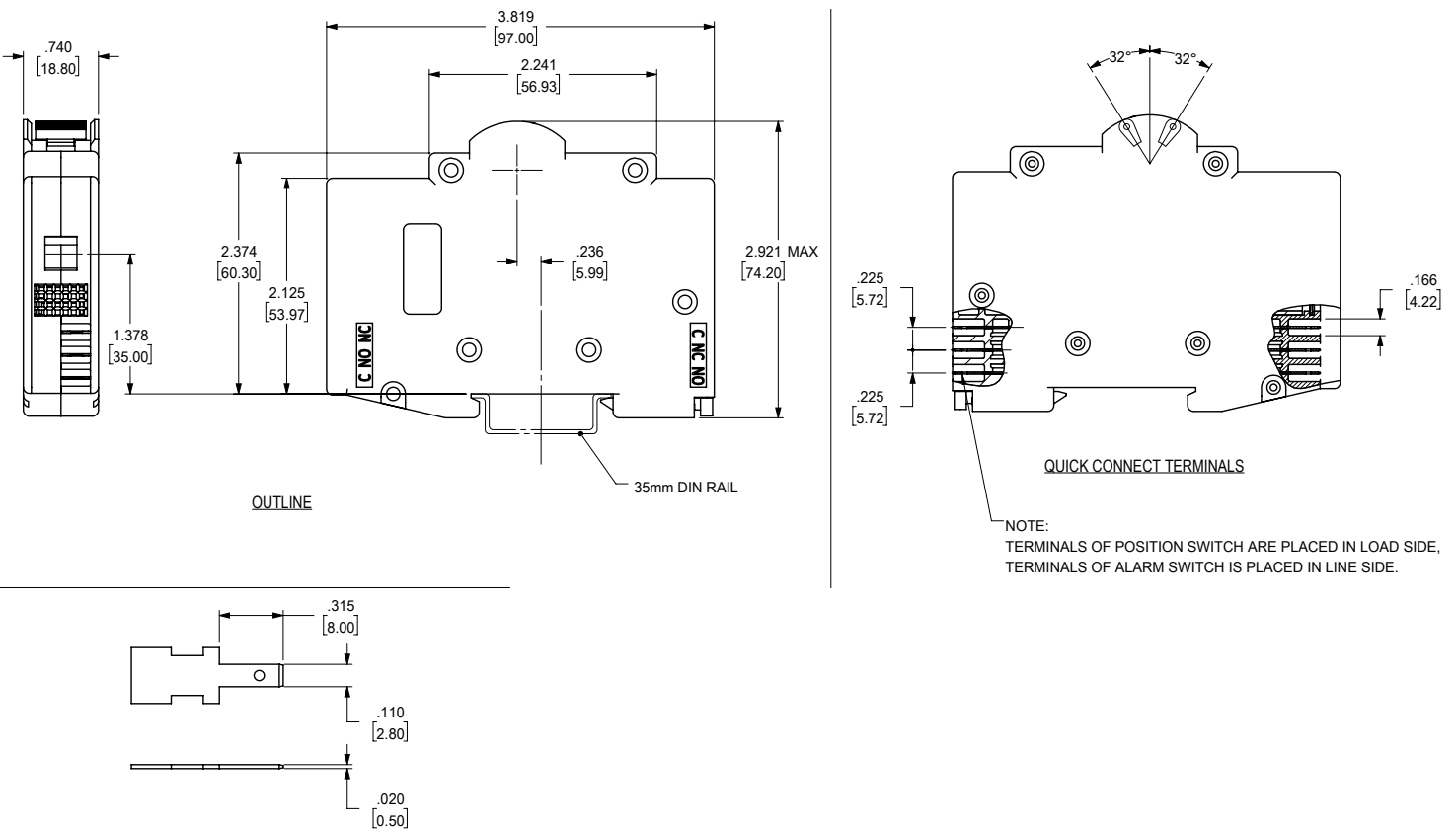
ELECTRICAL RATINGS & SHORT CIRCUIT INTERRUPTING CAPABILITIES

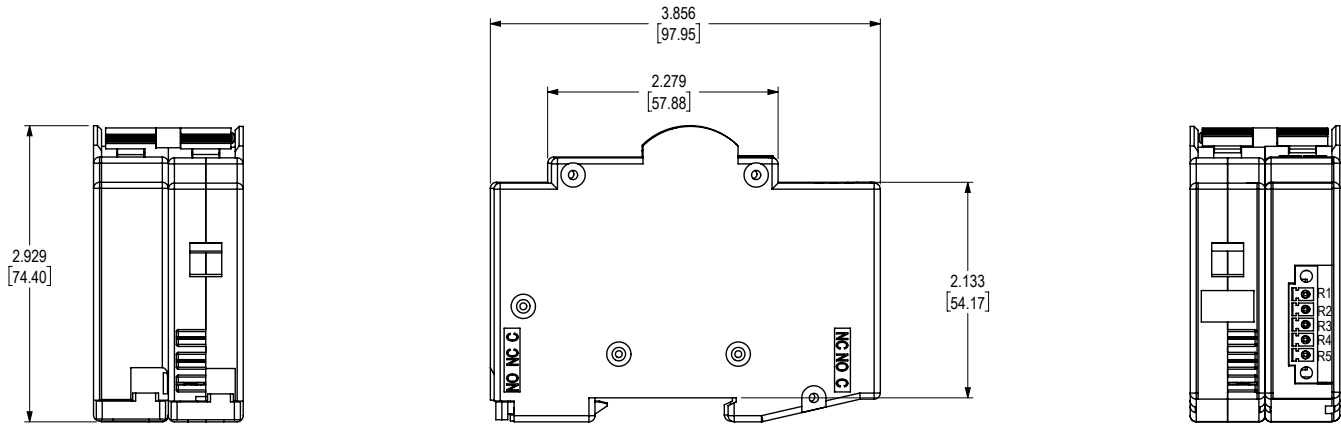
Type (Decision 1, SHT.2)	Poles	Hertz	Max (Volts)	Rated (Amps)	Short Circuits (Amps)	Agency
ICLR / ICLHR	1, 2	N/A	80DC	0.50 - 63.0	10,000	CCC (GB 14048.2) & TUV (IEC 60947-2) & CRCC
	1, 2	N/A	110DC	0.50 - 63.0	10,000	
	2	N/A	220DC	0.50 - 50.0	6,000	
	1, 2	50/60/400	240AC	0.50 - 63.0	6,000	
	1, 2	50/60/400	240AC	0.50 - 63.0	3,000	
	2	50/60/400	415AC	0.50 - 25.0	6,000	
	3	50/60/400	415AC	0.50 - 50.0	3,000	
ICLR / ICLHR	1, 2, 3	N/A	110DC	0.50 - 63.0	10000	UL 1077 & CSA*
	1, 2, 3	50/60	240AC	0.50 - 63.0	6000	

*Model ICLR/ICLHR are supplementary Protectors listed to CSA Std. C22.2 No. 235

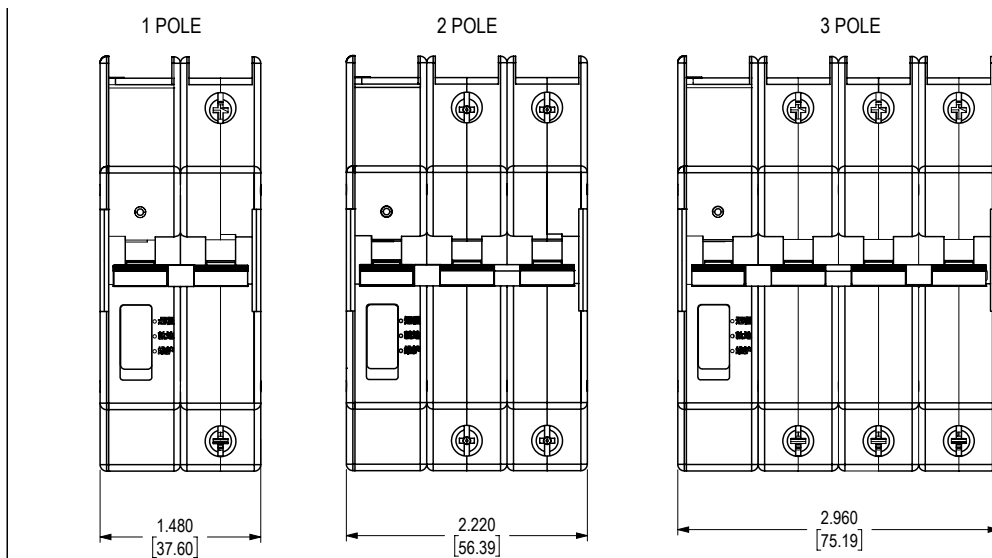
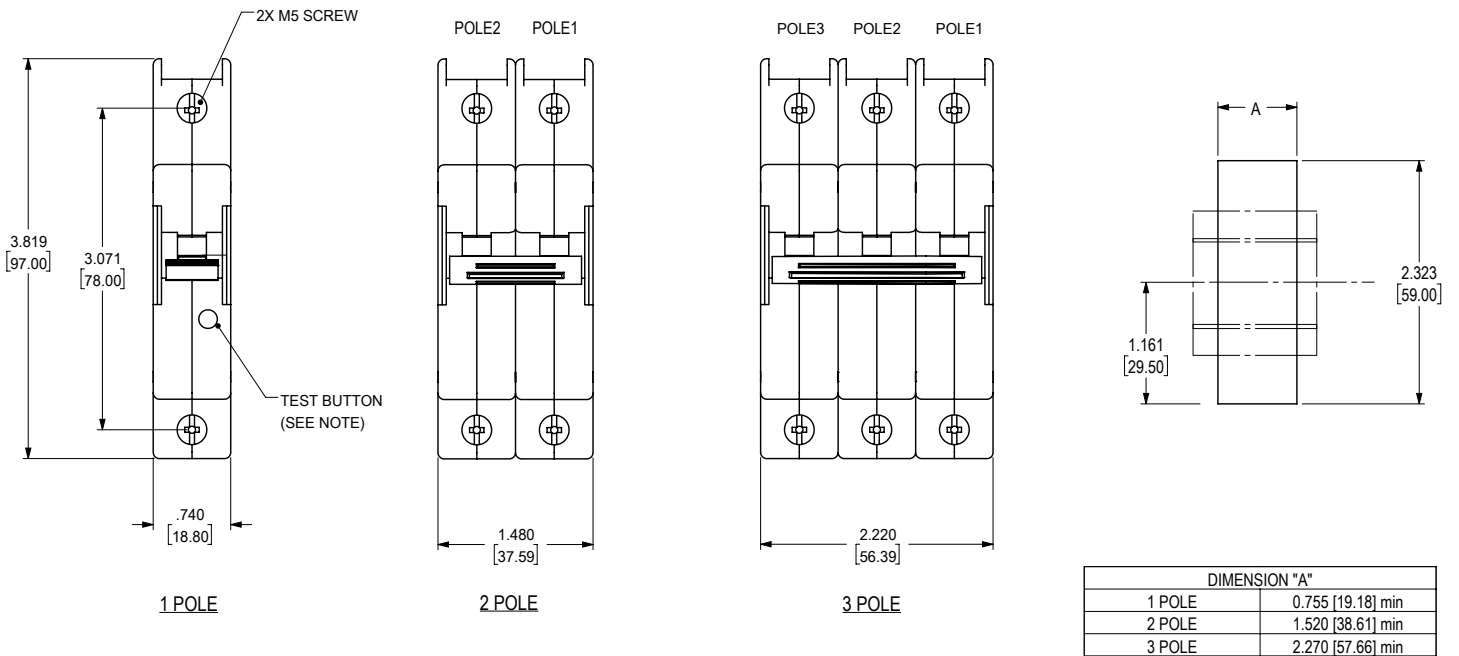
DIMENSIONS

All dimensions are in millimeters





PORT DEFINITION



Pin No.	Definition	Description
R1	VCC	DC110V+
R2	GND	GND
R3	Pulse - ON	Signal input, Turn CB ON
R4	Pulse - OFF	Signal input, Turn CB OFF
R5	CB indication	Output- Indicates CB contact position (0: ON 1: OFF), I _{sc} 30mA

ORDERING OPTIONS

ICLHR **11** - **-1** - **-61** - **10.0** - **E** - **-00** - **-C** - **RA**

Type

ICLR one handle per unit

ICLHR one handle per pole

ICLMR one handle per unit with midtrip function

ICLMHR one handle per pole with Mid-trip function

Poles

1: Single pole

11: Two pole

111: Three pole

Signal

-0: Switch only

-0A: Switch only with position switch**

-1: Series

-1A: Series with position switch

-1B: Series with alarm switch, mid-trip *

-1C: Series with position & alarm switch, mid-trip *

Note:

*1. "1b" & "1c" Are Not Applicable For Configuration Of 415vac Which Sixth Decision Is "G" Or "I".

2. One Or More Descriptions May Be Use As Required For Multi-Poles Product. For Example, -11a1b, -1a1b1.

** "0a" Only Tuv Certificates Are Available.

Frequency & Delay

SW: Switch only

-41: 400Hz short delay

-42: 400Hz long delay

-43: 400Hz motor start

-49: 400Hz 150% instant trip

-51: DC short delay

-52: DC long delay

-53: DC motor start

-59: DC 125% instant trip

-61: 50/60Hz short delay

-62: 50/60Hz long delay

-63: 50/60Hz motor start

-69: 50/60Hz 125% instant trip

-71: DC/60Hz short delay

-72: DC/60Hz long delay

-73: DC/60Hz motor start

-79: DC/60 Hz 135% instant trip

For inertial delay, add an "f" to any delay.

Note:

1. Delay 41 to 49 & delay 71 to 79 are not applicable for ul approved product

2. TUV has no "F" follow to delays

Rated Current (AMPS)

Use three numbers to print required value (see ratings table on sheet 1 for amp range, according to max. Volts and agency.)

Circuit Breaker Module Configuration

- B:** 80VDC 10KA NOTE:
- C:** 110VDC 10KA
- D:** 240VAC, Icu:3KA
- E:** 240VAC, Icu:6KA
- F:** 220VDC, 2 POLE 6KA
- G:** 415VAC, 2 POLE (SEE NOTE 2) 6KA
- H:** COVER VENTING TYPE
- I:** 415VAC 3 Phase 3ka (No Mid Trip)
- K:** Terminal Block For Aux. Switch
- L:** 35 Sqmm Wiring Box
- T:** Test Button

1. One Or More Descriptions May Be Used As Required. Could Be B, C, D, E, F, G, I Followed By Groups Of H, K, L & T
2. Decision "G" Is For 415vac, 2 Poles To Be Connected In Series.

Handle Color

- 00:** Black Handle
- 10:** Yellow Handle
- 20:** Red Handle
- 30:** Blue Handle
- 40:** Green Handle
- 50:** Gray Handle
- 60:** Orange Handle
- 90:** White Handle

Agency Approvals

- C:** CCC
- R:** CRCC
- U:** UL
- T:** TUV
- A:** CSA
- N:** NO AGENCY

Remote Control Module Configuration

RA: ROCB
 POWER: 110VDC
 CONTROL: 110VDC PULSE
 SIGNAL: 110VDC
 FUNCTION: A TYPE

Sensata Technologies, Inc. ("Sensata") data sheets are solely intended to assist designers ("Buyers") who are developing systems that incorporate Sensata products (also referred to herein as "components"). Buyer understands and agrees that Buyer remains responsible for using its independent analysis, evaluation and judgment in designing Buyer's systems and products. Sensata data sheets have been created using standard laboratory conditions and engineering practices. Sensata has not conducted any testing other than that specifically described in the published documentation for a particular data sheet. Sensata may make corrections, enhancements, improvements and other changes to its data sheets or components without notice.

Buyers are authorized to use Sensata data sheets with the Sensata component(s) identified in each particular data sheet. HOWEVER, NO OTHER LICENSE, EXPRESS OR IMPLIED, BY ESTOPPEL OR OTHERWISE TO ANY OTHER SENSATA INTELLECTUAL PROPERTY RIGHT, AND NO LICENSE TO ANY THIRD PARTY TECHNOLOGY OR INTELLECTUAL PROPERTY RIGHT, IS GRANTED HEREIN. SENSATA DATA SHEETS ARE PROVIDED "AS IS". SENSATA MAKES NO WARRANTIES OR REPRESENTATIONS WITH REGARD TO THE DATA SHEETS OR USE OF THE DATA SHEETS, EXPRESS, IMPLIED OR STATUTORY, INCLUDING ACCURACY OR COMPLETENESS. SENSATA DISCLAIMS ANY WARRANTY OF TITLE AND ANY IMPLIED WARRANTIES OF MERCHANTABILITY, FITNESS FOR A PARTICULAR PURPOSE, QUIET ENJOYMENT, QUIET POSSESSION, AND NON-INFRINGEMENT OF ANY THIRD PARTY INTELLECTUAL PROPERTY RIGHTS WITH REGARD TO SENSATA DATA SHEETS OR USE THEREOF.

All products are sold subject to Sensata's terms and conditions of sale supplied at www.sensata.com SENSATA ASSUMES NO LIABILITY FOR APPLICATIONS ASSISTANCE OR THE DESIGN OF BUYERS' PRODUCTS. BUYER ACKNOWLEDGES AND AGREES THAT IT IS SOLELY RESPONSIBLE FOR COMPLIANCE WITH ALL LEGAL, REGULATORY AND SAFETY-RELATED REQUIREMENTS CONCERNING ITS PRODUCTS, AND ANY USE OF SENSATA COMPONENTS IN ITS APPLICATIONS, NOTWITHSTANDING ANY APPLICATIONS-RELATED INFORMATION OR SUPPORT THAT MAY BE PROVIDED BY SENSATA.

Mailing Address: Sensata Technologies, Inc., 529 Pleasant Street, Attleboro, MA 02703, USA.

CONTACT US

Regional head offices:

United States of America

Sensata Technologies
 Attleboro, MA

Phone: 508-236-3800

E-mail: support@sensata.com

Netherlands

Sensata Technologies Holland B.V.
 Hengelo

Phone: +31 74 357 8000

E-mail: support@sensata.com

China

Sensata Technologies China Co., Ltd.
 Shanghai

Phone: +8621 2306 1500

E-mail: support@sensata.com