



Sensata Technologies

4391 SERIES



Autorisierter Distributor:

Neumüller Elektronik GmbH | Gewerbegebiet Ost 7 | D-91085 Weisendorf
Tel. +49 9135 73666-0 | info@neumueller.com | www.neumueller.com



| 4391 SERIES

-65°F to 450°F Hermetically Sealed

Introduction

This Klixon® snap-acting disc type control is designed to provide crisp, positive switching action. The 4391 is the most versatile of the Klixon® precision thermostats with its available SPST or DPDT switching, automatic or manual reset, and overmold options.



Features

- High current capacity
- Snap-action switching
- Normally open or closed
- Automatic or manual reset
- Hermetically sealed and back-filled with nitrogen
- SPST or SPDT
- Capacity optional overmold



PERFORMANCE CHARACTERISTICS

Dielectric Strength	1250 VAC, rms, 60 cycles for 1 minute
Vibration Resistance	Standard Construction : 5–500 Hz, 3G High Vibration Construction : 5–500 Hz, 5G
Hermeticity	1 X 10 ⁻⁵ atm cc/second maximum
Weight	Without overmold : 21 grams (average) With overmold : 56 grams (average)

Contact Ratings

30 VAC/DC	125 VAC	250 VAC	Life Cycles
Amperes			
10	4	2	100,000
11	6	3	50,000
12	8	4	25,000
13	10	5	10,000
14	12	6	5,000



Ambient Temperature Range

Non-Overmold: -65°F to 450°F (-53.9°C to +232.2°C)
 Silicone Overmold: -60°F to 400°F (-51.1°C to +204.4°C)

Operating Temperature Range

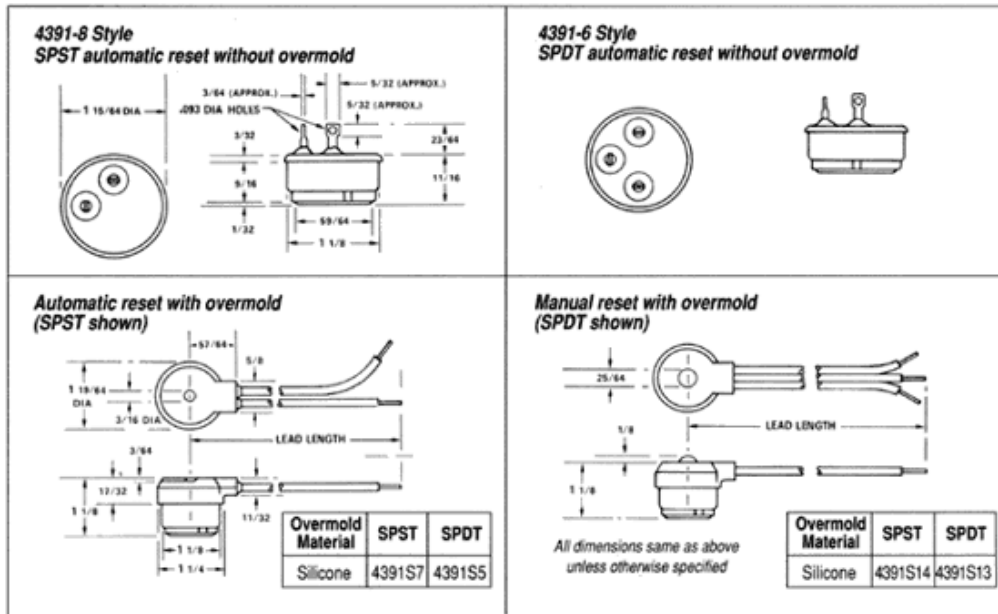
Non-Overmold: 0°F to 450°F (-17.8°C to +232.2°C)
 Silicone Overmold: 0°F to 400°F (-17.8°C to +204.4°C)

Standard Temperature Settings								
Operating Temperature	SPST (Single Pole / Single Throw), Standard Vibration				SPDT (Single Pole / Double Throw), High Vibration			
	Differential		Tolerance		Differential		Tolerance	
	°C	°F	± °C	± °F	°C	°F	± °C	± °F
-18 to 93°C (0 to 200°F)	8	15	3	5	14	25	4.4	8
-99 to 149°C (210 to 300°F)	14	25	4	7	17	30	6	10
-160 to 177°C (325 to 350°F)	25	45	7	12	25	45	7	12
-191 to 232°C * (375 to 450°F) auto reset only	33	60	8	15	14	60	8	15

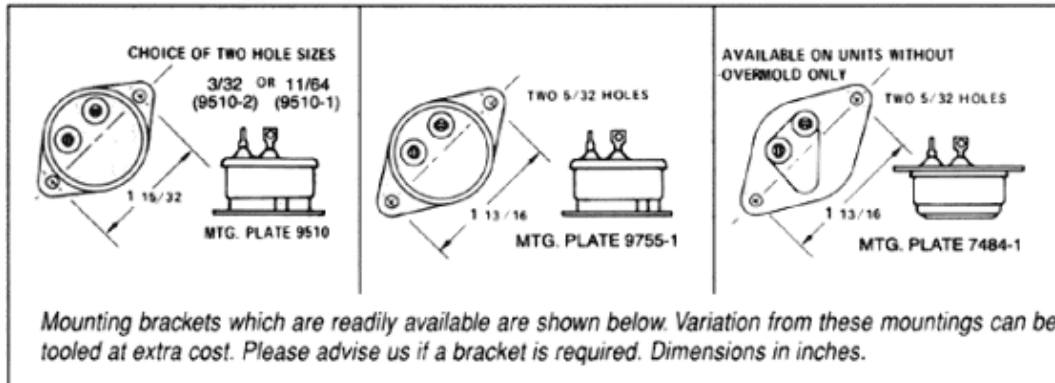
Standard temperature set points are at every 5°F degrees (for example, 320°F, 325°F, 330°F).
 Consult Sensata Technologies if a custom operating temperature range is required.
 * Available in automatic reset only

CONFIGURATIONS

Our most common configurations and options are depicted below. Other styles are also available.



TYPICAL MOUNTINGS





WARNINGS

**RISK OF MATERIAL DAMAGE AND HOT ENCLOSURE**

- The product's side panels may be hot, allow the product to cool before touching
- Follow proper mounting instructions including torque values
- Do not allow liquids or foreign objects to enter this product

Failure to follow these instructions can result in serious injury, or equipment damage.

**HAZARD OF ELECTRIC SHOCK, EXPLOSION OR ARC FLASH**

- Disconnect all power before installing or working with this equipment
- Verify all connections and replace all covers before turning on power

Failure to follow these instructions will result in death or serious injury.

Sensata Technologies, Inc. ("Sensata") data sheets are solely intended to assist designers ("Buyers") who are developing systems that incorporate Sensata products (also referred to herein as "components"). Buyer understands and agrees that Buyer remains responsible for using its independent analysis, evaluation and judgment in designing Buyer's systems and products. Sensata data sheets have been created using standard laboratory conditions and engineering practices. Sensata has not conducted any testing other than that specifically described in the published documentation for a particular data sheet. Sensata may make corrections, enhancements, improvements and other changes to its data sheets or components without notice.

Buyers are authorized to use Sensata data sheets with the Sensata component(s) identified in each particular data sheet. HOWEVER, NO OTHER LICENSE, EXPRESS OR IMPLIED, BY ESTOPPEL OR OTHERWISE TO ANY OTHER SENSATA INTELLECTUAL PROPERTY RIGHT, AND NO LICENSE TO ANY THIRD PARTY TECHNOLOGY OR INTELLECTUAL PROPERTY RIGHT, IS GRANTED HEREIN. SENSATA DATA SHEETS ARE PROVIDED "AS IS". SENSATA MAKES NO WARRANTIES OR REPRESENTATIONS WITH REGARD TO THE DATA SHEETS OR USE OF THE DATA SHEETS, EXPRESS, IMPLIED OR STATUTORY, INCLUDING ACCURACY OR COMPLETENESS. SENSATA DISCLAIMS ANY WARRANTY OF TITLE AND ANY IMPLIED WARRANTIES OF MERCHANTABILITY, FITNESS FOR A PARTICULAR PURPOSE, QUIET ENJOYMENT, QUIET POSSESSION, AND NON-INFRINGEMENT OF ANY THIRD PARTY INTELLECTUAL PROPERTY RIGHTS WITH REGARD TO SENSATA DATA SHEETS OR USE THEREOF.

All products are sold subject to Sensata's terms and conditions of sale supplied at www.sensata.com SENSATA ASSUMES NO LIABILITY FOR APPLICATIONS ASSISTANCE OR THE DESIGN OF BUYERS' PRODUCTS. BUYER ACKNOWLEDGES AND AGREES THAT IT IS SOLELY RESPONSIBLE FOR COMPLIANCE WITH ALL LEGAL, REGULATORY AND SAFETY-RELATED REQUIREMENTS CONCERNING ITS PRODUCTS, AND ANY USE OF SENSATA COMPONENTS IN ITS APPLICATIONS, NOTWITHSTANDING ANY APPLICATIONS-RELATED INFORMATION OR SUPPORT THAT MAY BE PROVIDED BY SENSATA.

Mailing Address: Sensata Technologies, Inc., 529 Pleasant Street, Attleboro, MA 02703, USA.

CONTACT US**Americas**

+1 (508)-236-3287
klixon@sensata.com

AUTHORIZED DISTRIBUTORS

Flame Enterprises
Bob Correa, Director of Product Management
+1 (240) 236-9802
bcorrea@flamecorp.com
info@flamecorp.com | Web
Tel: 1-800-854-2255 or 1-818-700-2905
Fax: 1-818-407-5080

Peerless Electronics
Steve Gunther, National Sales Manager

+1 (516) 594-3509
sgunther@peerlesselectronics.com
nysales@peerlesselectronics.com | Web
Tel: 1-800-285-2121
Fax: 1-800-222-8096

Europe, Middle East & Africa

Flame Enterprises
Bob Correa, Director of Product Management
+1 (240) 236-9802
bcorrea@flamecorp.com
info@flamecorp.com | Web
Tel: 1-800-854-2255 or 1-818-700-2905
Fax: 1-818-407-5080