



Sensata Technologies

9TC SERIES



Autorisierter Distributor:

Neumüller Elektronik GmbH | Gewerbegebiet Ost 7 | D-91085 Weisendorf
Tel. +49 9135 73666-0 | info@neumueller.com | www.neumueller.com

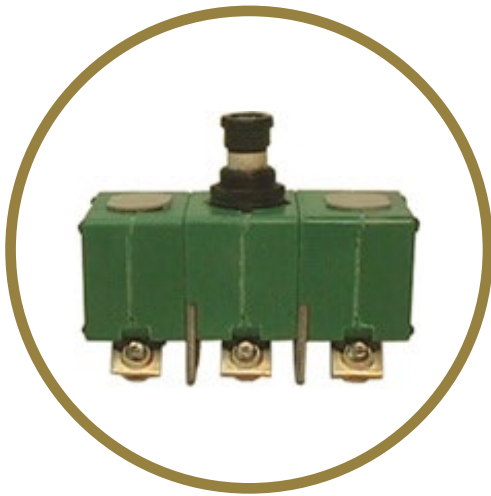


| 9TC SERIES

1 Amp, 15 to 35 Amp, 3-Phase, Miniature, Ambient Compensated

Introduction

Klixon® 9TC series circuit breakers provide ambient compensated circuit protection in a lightweight, sub-miniature package size. The three-phase integrally linked design provides overcurrent protection in the event of simultaneous or unbalanced overloads, including short circuit conditions.



Features

- Miniature size
- Light weight
- Trip-free design
- AS58091 qualified
- Current rating: 1, 15 to 35 amp
- High interrupting capacity
- Protective terminal barriers between each phase
- Vibration pads improve mounting stability
- One phase trips all
- Includes features identical to Klixon® 2TC and 3TC series
- Options include: longer push buttons, dust boot (part #14500-1 fits 15/32 bushing, part #14500-5 fits 7/16 bushing)



PERFORMANCE CHARACTERISTICS

Vibrations	10G minimum, 50–500 Hz
Mechanical Shock	50G
Acceleration	10G
Weight	88 grams (without hardware) 110 gram maximum (9TC14)
Interrupt Current	1, 15–35 amps; 2,000 amps at 120 VAC, 400 Hz
Endurance	2,500 cycles: 120 VAC, 400 Hz inductive 5,000 cycles: 120 VAC, 400 Hz resistive 5,000 cycles: Mechanical, no load



QUALIFICATIONS

Mil-spec	MS 14153 (9TC2 device)
USA	All U.S. Aircraft OEMs



CALIBRATION CHART

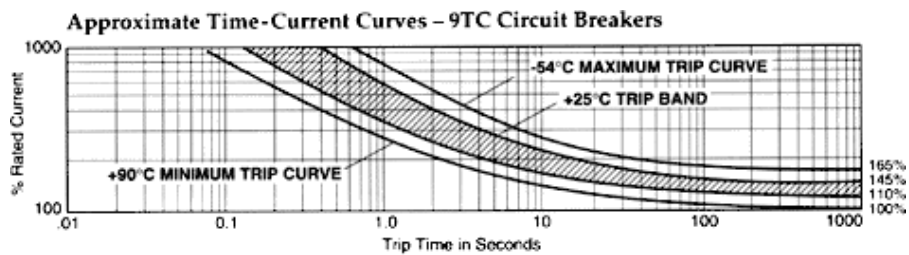
For a Standard Device

Temp.	Minimum Ultimate Trip	Maximum Ultimate Trip*	Trip Time (in seconds)		
			200%	500%	1000%
25°C	110%	145%	4-20	0.40-2.00	0.10-0.53
-54°C	110%	165%	6-40	0.55-3.50	0.15-0.80
71°C	100%	145%	3-20	0.33-1.70	0.08-0.40

*Depicts the most typical standard commercial device. For others, please contact us.
* Single-phase values apply when other two phases carry 100% of rated current.*



TRIP CURVE



VOLTAGE DROP

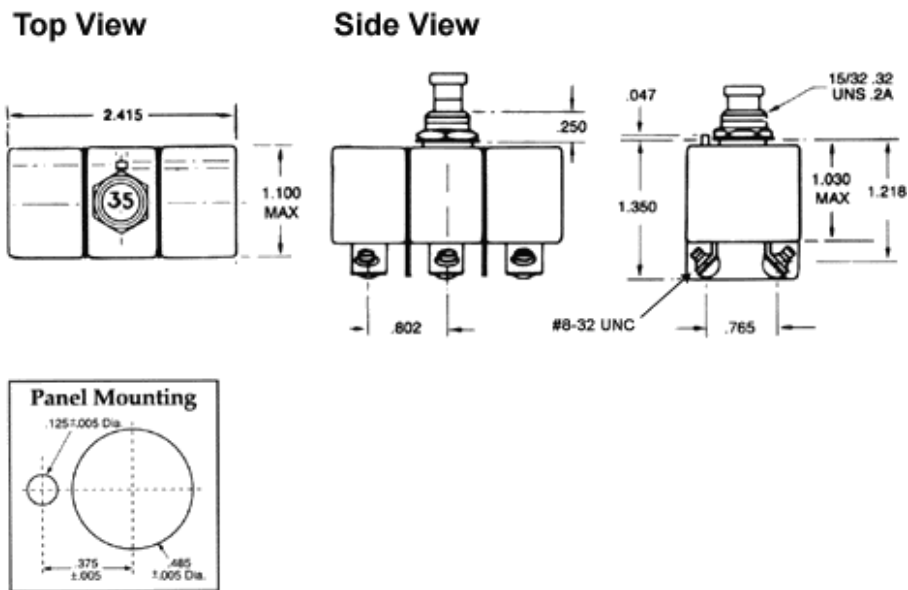
Amp Rating	Max. Voltage Drop*
1	1.10
15	0.25
20	0.25
25	0.25
30	0.25
35	0.25

*Maximum voltage drop at nominal rated current.



DIMENSIONS

Dimensions in mm [Inch]



Sensata Technologies, Inc. ("Sensata") data sheets are solely intended to assist designers ("Buyers") who are developing systems that incorporate Sensata products (also referred to herein as "components"). Buyer understands and agrees that Buyer remains responsible for using its independent analysis, evaluation and judgment in designing Buyer's systems and products. Sensata data sheets have been created using standard laboratory conditions and engineering practices. Sensata has not conducted any testing other than that specifically described in the published documentation for a particular data sheet. Sensata may make corrections, enhancements, improvements and other changes to its data sheets or components without notice.

Buyers are authorized to use Sensata data sheets with the Sensata component(s) identified in each particular data sheet. HOWEVER, NO OTHER LICENSE, EXPRESS OR IMPLIED, BY ESTOPPEL OR OTHERWISE TO ANY OTHER SENSATA INTELLECTUAL PROPERTY RIGHT, AND NO LICENSE TO ANY THIRD PARTY TECHNOLOGY OR INTELLECTUAL PROPERTY RIGHT, IS GRANTED HEREIN. SENSATA DATA SHEETS ARE PROVIDED "AS IS". SENSATA MAKES NO WARRANTIES OR REPRESENTATIONS WITH REGARD TO THE DATA SHEETS OR USE OF THE DATA SHEETS, EXPRESS, IMPLIED OR STATUTORY, INCLUDING ACCURACY OR COMPLETENESS. SENSATA DISCLAIMS ANY WARRANTY OF TITLE AND ANY IMPLIED WARRANTIES OF MERCHANTABILITY, FITNESS FOR A PARTICULAR PURPOSE, QUIET ENJOYMENT, QUIET POSSESSION, AND NON-INFRINGEMENT OF ANY THIRD PARTY INTELLECTUAL PROPERTY RIGHTS WITH REGARD TO SENSATA DATA SHEETS OR USE THEREOF.

All products are sold subject to Sensata's terms and conditions of sale supplied at www.sensata.com SENSATA ASSUMES NO LIABILITY FOR APPLICATIONS ASSISTANCE OR THE DESIGN OF BUYERS' PRODUCTS. BUYER ACKNOWLEDGES AND AGREES THAT IT IS SOLELY RESPONSIBLE FOR COMPLIANCE WITH ALL LEGAL, REGULATORY AND SAFETY-RELATED REQUIREMENTS CONCERNING ITS PRODUCTS, AND ANY USE OF SENSATA COMPONENTS IN ITS APPLICATIONS, NOTWITHSTANDING ANY APPLICATIONS-RELATED INFORMATION OR SUPPORT THAT MAY BE PROVIDED BY SENSATA.

Mailing Address: Sensata Technologies, Inc., 529 Pleasant Street, Attleboro, MA 02703, USA.

CONTACT US

Americas

+1 (508)-236-3287
klixon@sensata.com

AUTHORIZED DISTRIBUTORS

Flame Enterprises
 Bob Correa, Director of Product Management
 +1 (240) 236-9802
bcorrea@flamecorp.com
info@flamecorp.com | Web
 Tel: 1-800-854-2255 or 1-818-700-2905
 Fax: 1-818-407-5080

Peerless Electronics
 Steve Gunther, National Sales Manager

+1 (516) 594-3509
sgunther@peerlesselectronics.com
nysales@peerlesselectronics.com
 Tel: 1-800-285-2121
 Fax: 1-800-222-8096

Europe, Middle East & Africa

Flame Enterprises
 Bob Correa, Director of Product Management
 +1 (240) 236-9802
bcorrea@flamecorp.com
info@flamecorp.com | Web
 Tel: 1-800-854-2255 or 1-818-700-2905
 Fax: 1-818-407-5080