



# Sensata

## Technologies

### **ACMP SERIES**



Autorisierter Distributor:

**Neumüller Elektronik GmbH** | Gewerbegebiet Ost 7 | D-91085 Weisendorf  
Tel. +49 9135 73666-0 | [info@neumueller.com](mailto:info@neumueller.com) | [www.neumueller.com](http://www.neumueller.com)



## | ACMP SERIES

Single-Phase and Three-Phase Aircraft Motor Protectors

### Introduction

Klixon® motor protection for aircraft prevents hazards beyond the control of the manufacturer — hazards such as sustained overload and excessive temperatures. Since the aircraft motor protector (ACMP) is sensitive to both temperature and current, they inherently protect against a variety of abnormal conditions while allowing maximum motor output before shutdown. Motor life is extended by limiting the damaging temperatures to a designed level.



The ACMP is a bimetallic thermostat with a built-in heating element. It is installed in series with the motor winding. The actuating element is a Klixon® snap-acting thermal disc. The built-in heaters simulate winding temperatures caused by increases in current. The ACMP provides crisp, positive switching when the specified trip current is sustained for a specific duration at room temperature. The device will also actuate when an excessive ambient temperature condition occurs, providing protection against overheat conditions other than overload. Separately, the disc protects against excessive ambient temperature and the heaters protect against excessive current increases (as experienced during locked motor conditions). Together, the heaters and disc protect against any combination of overload and ambient conditions.

### Features

- Single- and three-phase protection
- Locked rotor protection
- Thermal protection
- Neutral tap
- Meets thermal protection requirements of MIL-M-7969, direct acting

## PERFORMANCE CHARACTERISTICS

### Maximum Current Ratings

Standard ratings are available in approximately 5% current steps at ultimate trip for motors with maximum allowable temperatures of 120°C, 150°C, 175°C, and 200°C.

	28 VDC	120 VAC
<b>SKA</b>	16 amps	16 amps
<b>MKA</b>	50 amps	50 amps
<b>SJE</b>	30 amps	30 amps
<b>MJE</b>	60 amps	60 amps
<b>BJE</b>	120 amps	120 amps

*Ratings are for device series. Specific devices may vary.*

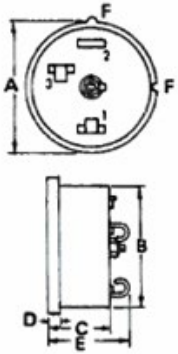
## APPLICATION

Inherent protection means that a protector is built into a motor and becomes an integral part of the system. For this reason, Klixon® protectors should only be applied by the motor manufacturer after detailed application tests to determine the heating characteristics of the motor under a full range of load and ambient conditions to verify the selected rating will meet the specific application requirements. Consult the factory for test samples.

## STANDARD CONFIGURATIONS

### Single Phase Motor Protectors

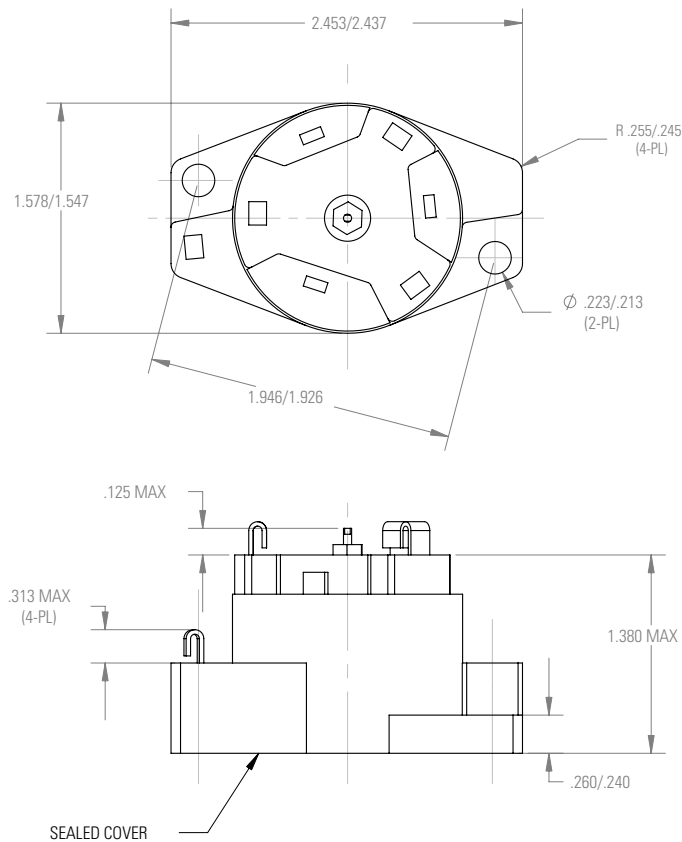
#### Open Type



	SKA	MKA
<b>Approx. Weight (Ounces)</b>	.125	.250
<b>Maximum Rapturing Capacity</b>	16 amps	50 amps
<b>A (max dia)</b>	.688	.937
<b>B (dia)</b>	.638	.876
<b>C</b>	.344	.420
<b>D</b>	.093	.093
<b>E (max)</b>	.500	.625
<b>F (radius)</b>	.035	.035

### Three Phase Motor Protectors

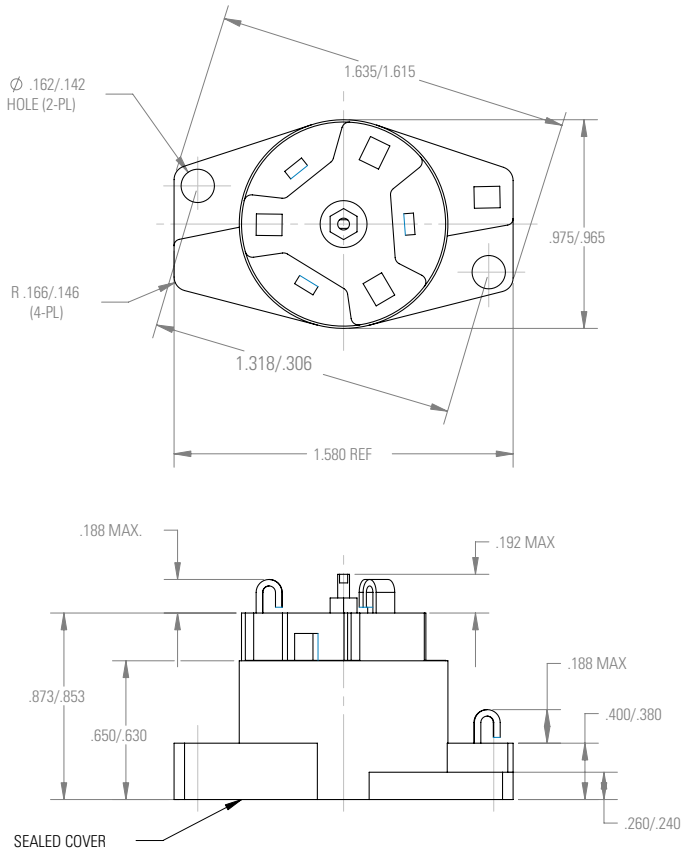
#### BJE Type



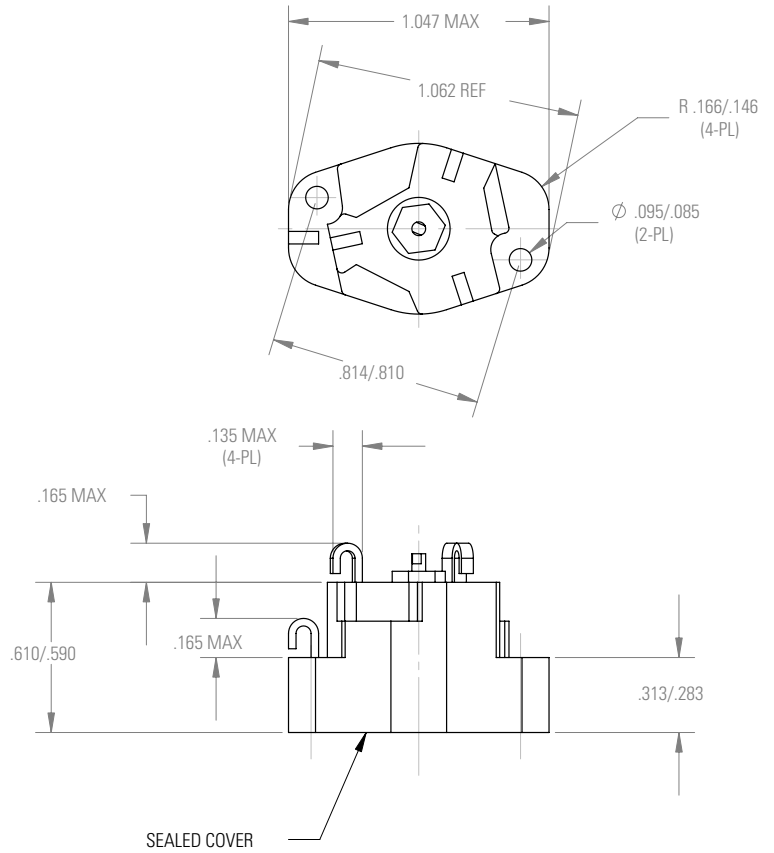
 **STANDARD CONFIGURATIONS (CONTINUED)**

**Three Phase Motor Protectors (Continued)**

**MJE Type**



**SJE Type**



**RISK OF MATERIAL DAMAGE AND HOT ENCLOSURE**

- The product's side panels may be hot, allow the product to cool before touching
- Follow proper mounting instructions including torque values
- Do not allow liquids or foreign objects to enter this product

**Failure to follow these instructions can result in serious injury, or equipment damage.**

**HAZARD OF ELECTRIC SHOCK, EXPLOSION OR ARC FLASH**

- Disconnect all power before installing or working with this equipment
- Verify all connections and replace all covers before turning on power

**Failure to follow these instructions will result in death or serious injury.**

Sensata Technologies, Inc. ("Sensata") data sheets are solely intended to assist designers ("Buyers") who are developing systems that incorporate Sensata products (also referred to herein as "components"). Buyer understands and agrees that Buyer remains responsible for using its independent analysis, evaluation and judgment in designing Buyer's systems and products. Sensata data sheets have been created using standard laboratory conditions and engineering practices. Sensata has not conducted any testing other than that specifically described in the published documentation for a particular data sheet. Sensata may make corrections, enhancements, improvements and other changes to its data sheets or components without notice.

Buyers are authorized to use Sensata data sheets with the Sensata component(s) identified in each particular data sheet. HOWEVER, NO OTHER LICENSE, EXPRESS OR IMPLIED, BY ESTOPPEL OR OTHERWISE TO ANY OTHER SENSATA INTELLECTUAL PROPERTY RIGHT, AND NO LICENSE TO ANY THIRD PARTY TECHNOLOGY OR INTELLECTUAL PROPERTY RIGHT, IS GRANTED HEREIN. SENSATA DATA SHEETS ARE PROVIDED "AS IS". SENSATA MAKES NO WARRANTIES OR REPRESENTATIONS WITH REGARD TO THE DATA SHEETS OR USE OF THE DATA SHEETS, EXPRESS, IMPLIED OR STATUTORY, INCLUDING ACCURACY OR COMPLETENESS. SENSATA DISCLAIMS ANY WARRANTY OF TITLE AND ANY IMPLIED WARRANTIES OF MERCHANTABILITY, FITNESS FOR A PARTICULAR PURPOSE, QUIET ENJOYMENT, QUIET POSSESSION, AND NON-INFRINGEMENT OF ANY THIRD PARTY INTELLECTUAL PROPERTY RIGHTS WITH REGARD TO SENSATA DATA SHEETS OR USE THEREOF.

All products are sold subject to Sensata's terms and conditions of sale supplied at [www.sensata.com](http://www.sensata.com) SENSATA ASSUMES NO LIABILITY FOR APPLICATIONS ASSISTANCE OR THE DESIGN OF BUYERS' PRODUCTS. BUYER ACKNOWLEDGES AND AGREES THAT IT IS SOLELY RESPONSIBLE FOR COMPLIANCE WITH ALL LEGAL, REGULATORY AND SAFETY-RELATED REQUIREMENTS CONCERNING ITS PRODUCTS, AND ANY USE OF SENSATA COMPONENTS IN ITS APPLICATIONS, NOTWITHSTANDING ANY APPLICATIONS-RELATED INFORMATION OR SUPPORT THAT MAY BE PROVIDED BY SENSATA.

Mailing Address: Sensata Technologies, Inc., 529 Pleasant Street, Attleboro, MA 02703, USA.

**CONTACT US****Americas**

+1 (508)-236-3287  
klixon@sensata.com

**AUTHORIZED DISTRIBUTORS**

Flame Enterprises  
Bob Correa, Director of Product  
Management

+1 (240) 236-9802  
bcorrea@flamecorp.com  
info@flamecorp.com | Web  
Tel: 1-800-854-2255 or 1-818-  
700-2905  
Fax: 1-818-407-5080

Peerless Electronics  
Steve Gunther, National Sales  
Manager

+1 (516) 594-3509  
sgunther@peerlesselectronics.  
com  
nysales@peerlesselectronics.  
com | Web  
Tel: 1-800-285-2121  
Fax: 1-800-222-8096

**Europe, Middle East & Africa**

Flame Enterprises  
Bob Correa, Director of Product  
Management  
+1 (240) 236-9802  
bcorrea@flamecorp.com  
info@flamecorp.com | Web  
Tel: 1-800-854-2255 or 1-818-  
700-2905  
Fax: 1-818-407-5080