



# Sensata

## Technologies

## PS NECK MOUNTING SERIES

### PSM-XX-N



Autorisierter Distributor:

**Neumüller Elektronik GmbH** | Gewerbegebiet Ost 7 | D-91085 Weisendorf  
Tel. +49 9135 73666-0 | [info@neumueller.com](mailto:info@neumueller.com) | [www.neumueller.com](http://www.neumueller.com)



## | PS NECK MOUNTING SERIES (PSM-XX-N)

### 2 TO 35 AMP PRECISION THERMAL CIRCUIT BREAKER

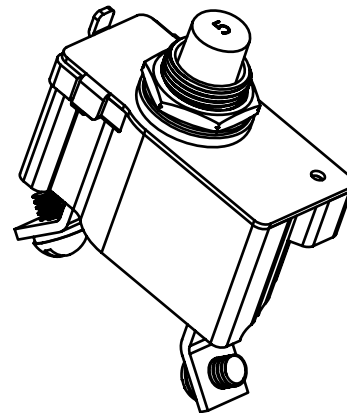
#### Introduction

The KLIXON® PSM-XX-N series of breakers are designed to interrupt short circuits or overloads and combines trip-free protection with fast response time. The PSM-XX-N series thermal breaker is ideal for commercial and military vehicle equipment where precise ultimate trip characteristics are required.



#### Features

- 30VDC, 2 to 35 Amps
- Manual reset neck mount circuit breaker

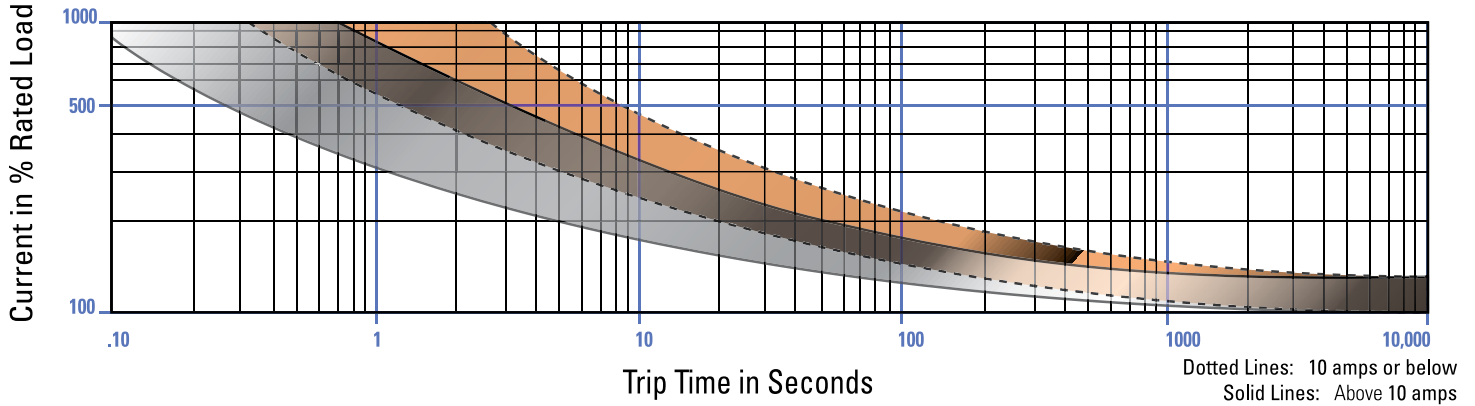


#### SPECIFICATIONS

<b>Calibration : 200% rated current, 77°F (25°C)</b>	2 to 10 amps : 20 to 150 seconds 12.5 to 35 amps : 8 to 50 seconds
<b>Ultimate Trip At 77°F (25°C)</b>	Must hold 100%, Must trip 138%
<b>Endurance</b>	Per SAE J553, 500 cycles @ 200%
<b>Interrupt Current Capacity</b>	Per SAE J553
<b>Vibration</b>	10G MIL-STD-202 Method 204, Condition A
<b>Mechanical Shock</b>	MIL-STD-202, Method 213, Condition C, 100G
<b>Dielectric Strength</b>	MIL-STD-202, Method 301, 1500VAC min
<b>Insulation Resistance</b>	MIL-STD 202, Method 302, Condition B, 100 MΩ min
<b>Weight (with mounting nuts)</b>	PSM-N : 35 grams max

# TRIP CURVE

## Approximate Time, Current Characteristics At 77°F (25°C)

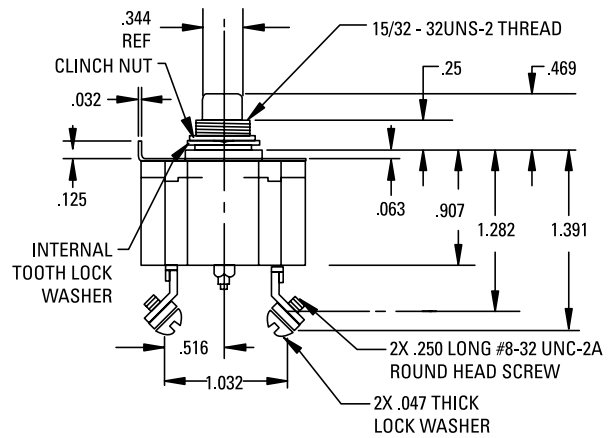
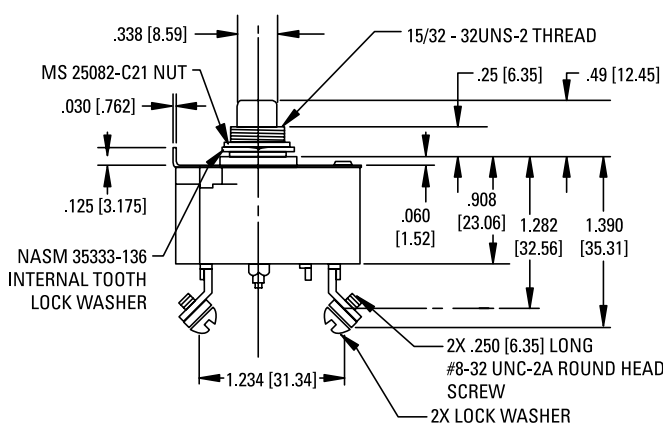
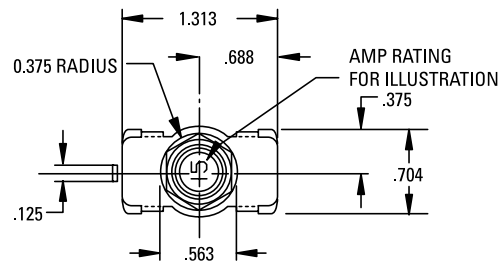
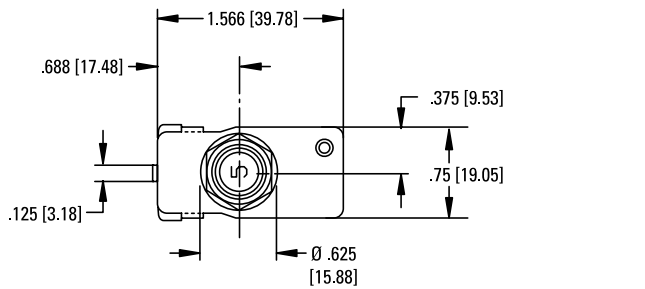


# DIMENSIONS

All dimensions are in inches [mm]

## PSM-XX-N (10 AMPS AND LESS)

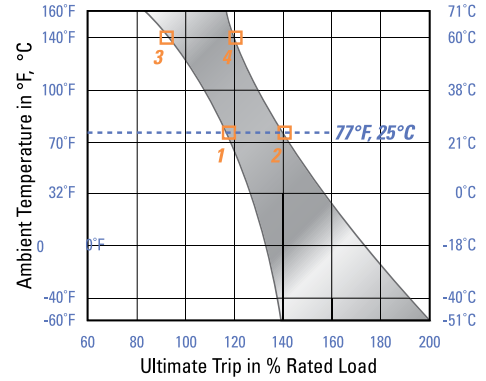
## PSM-XX-N (OVER 10 AMPS)





## DERATING CURVE

Performance characteristics are based on room temperature (77°F, 25°C). Consult Derating curve for ambient temperatures significantly higher or lower than standard room temperature. Example: At 77°F (25°C) the device is calibrated to hold at 110% of rated current (1) and trip at 138% of rated current (2). At 140°F (60°C), the same device will hold at approximately 92% of rated current (3), and trip at approximately 120% of rated current (4).



## ORDERING OPTIONS

Example : PSM-35-N

<b>Configuration</b>	<b>PSM</b>	<b>35</b>	<b>N</b>
<b>PSM:</b> Manual			
<b>Amp Rating</b>			
2	8	20	
3	10	25	
4	12.5	30	
5	15	35	
6	17.5		
<b>Neck Mount</b>			
<b>N:</b> neck mount			