



Sensata
Technologies

Hermetic Interlock Switches

 **Neumüller**
Elektronik GmbH

Autorisierter Distributor:

Neumüller Elektronik GmbH | Gewerbegebiet Ost 7 | D-91085 Weisendorf
Tel. +49 9135 73666-0 | info@neumueller.com | www.neumueller.com

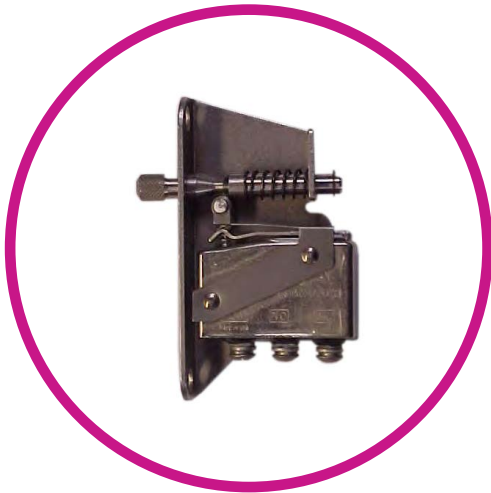


| HERMETIC INTERLOCK SWITCHES

HIGH PERFORMANCE

Introduction

The Klixon® interlock switch series utilizes a hermetically sealed snap-acting sine switch to create a high reliability yet cost effective solution. The series was developed for the most severe environments, and the most demanding applications. Ideal for guarding engine compartments, access and maintenance hatches, electrical cabinets, machinery, and industrial equipment. Its explosion-proof design and one-piece steel case construction make it well suited for fuel wetted areas. Its high vibration resistance makes it an ideal choice for ground and air vehicle applications.



Features

- Explosion-proof device
- Stainless steel, hermetic seal construction
- Rated to 10 amps
- Rated for 28 VDC and 110 VAC, 60-900 Hz
- Available in single pole, double throw (SPDT) and double pole, double throw (DPDT)
- Screw or soldier terminals

Applications

- Door interlock for guarding
- Aircraft engine compartments
- Access and maintenance hatches
- Electrical cabinets
- Machinery
- Industrial Equipment



SPECIFICATIONS

Current Capacity	28 VDC	115 VAC, 60 - 900Hz
Resistance	5 amps	
Inductive	3 amps	
Lamp	2 amps	
Dielectric Strength	1250 volts (RMS)	
Full Overtavel Force	5 lbs max	
Life @ Rated Load	25,000 cycles	
Amb. Temperature Range	-65F to +275F (-65C to +150C)	
Seal	Hermetic per MIL-S-8805D	
Max Leak Rate	1x10-8 C.C. std. HE/sec	
Backfill	Dry nitrogen	
Max MV Drop	20 MV @ 1 amp	
Vibration Resistance	Swept sinusoidal vibration per MIL-STD-202-204 (Test Condition A)	
Shock Resistance	100 G's, 1/2 sine, 11 ms duration	

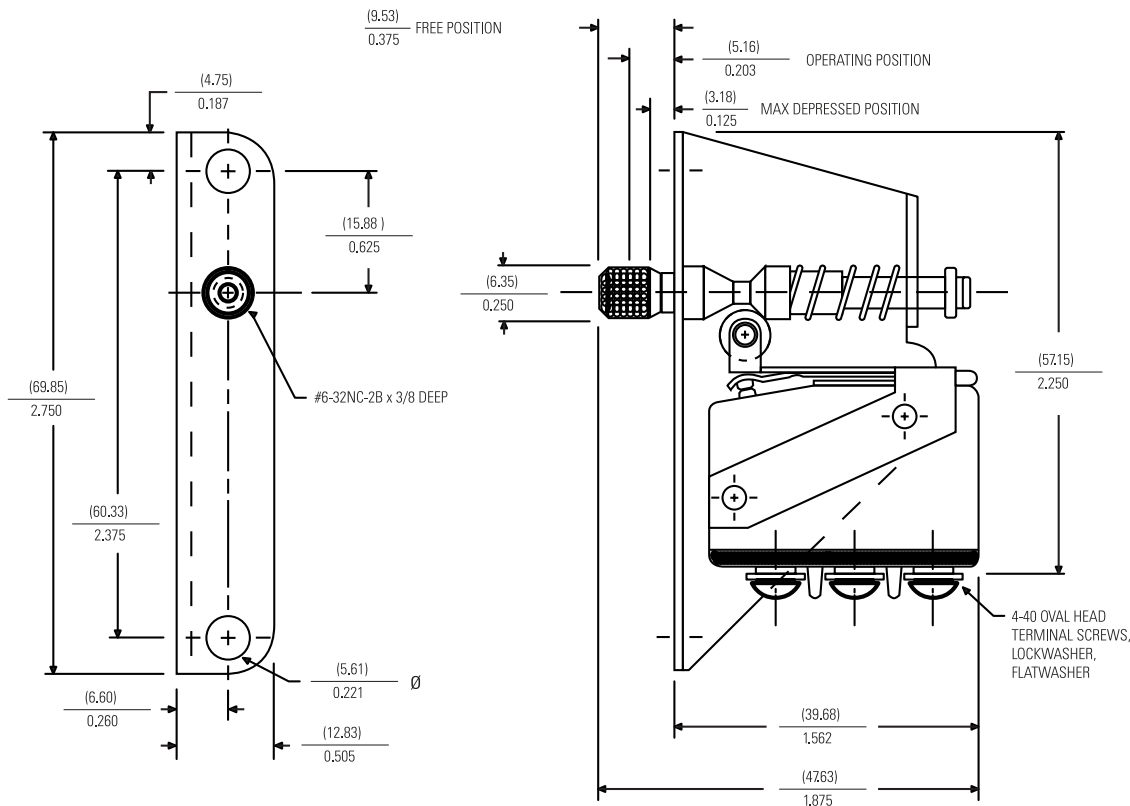


DIMENSIONS

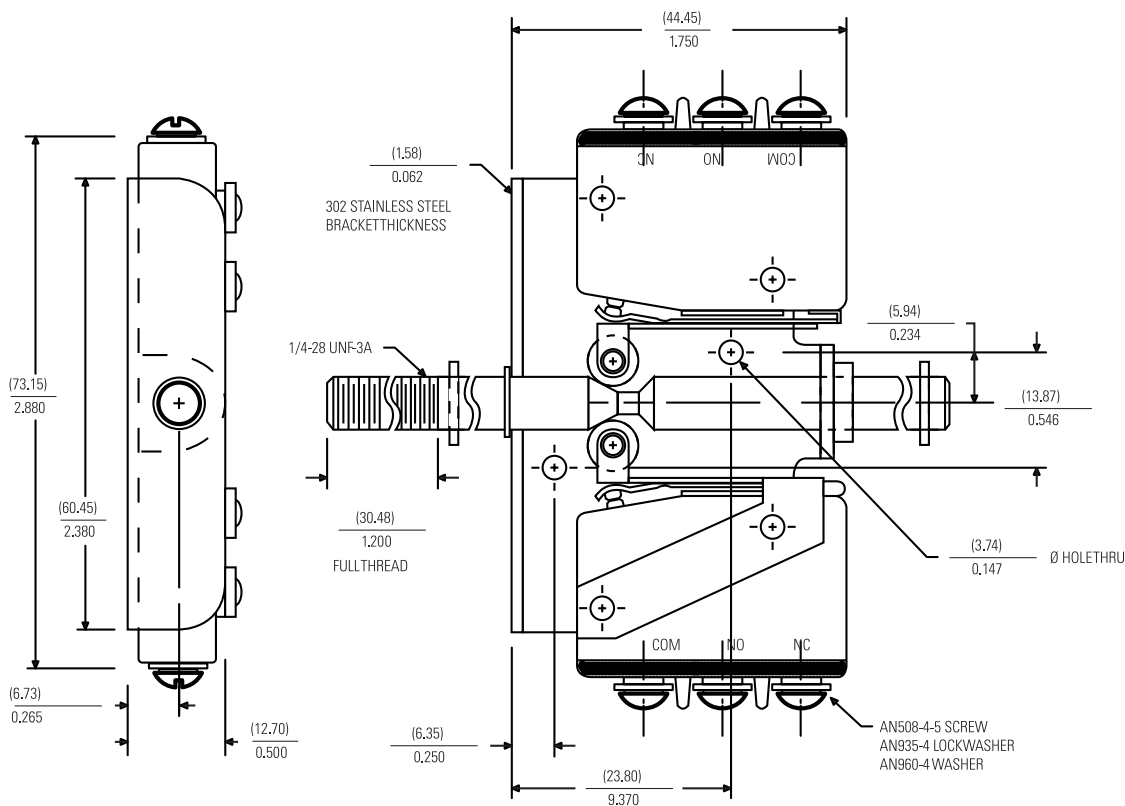
Dimensions inches (mm)

Note: All dimensions are reference only.

SINGLE POLE, PUSH-PULL INTERLOCK SWITCH (21462, 21689)



DOUBLE POLE, PUSH-PULL INTERLOCK SWITCH (21628, 21693-1)





WARNINGS



RISK OF MATERIAL DAMAGE AND HOT ENCLOSURE

- The product's side panels may be hot, allow the product to cool before touching
- Follow proper mounting instructions including torque values
- Do not allow liquids or foreign objects to enter this product

Failure to follow these instructions can result in serious injury, or equipment damage.



HAZARD OF ELECTRIC SHOCK, EXPLOSION OR ARC FLASH

- Disconnect all power before installing or working with this equipment
- Verify all connections and replace all covers before turning on power

Failure to follow these instructions will result in death or serious injury.

Sensata Technologies, Inc. ("Sensata") data sheets are solely intended to assist designers ("Buyers") who are developing systems that incorporate Sensata products (also referred to herein as "components"). Buyer understands and agrees that Buyer remains responsible for using its independent analysis, evaluation and judgment in designing Buyer's systems and products. Sensata data sheets have been created using standard laboratory conditions and engineering practices. Sensata has not conducted any testing other than that specifically described in the published documentation for a particular data sheet. Sensata may make corrections, enhancements, improvements and other changes to its data sheets or components without notice.

Buyers are authorized to use Sensata data sheets with the Sensata component(s) identified in each particular data sheet. HOWEVER, NO OTHER LICENSE, EXPRESS OR IMPLIED, BY ESTOPPEL OR OTHERWISE TO ANY OTHER SENSATA INTELLECTUAL PROPERTY RIGHT, AND NO LICENSE TO ANY THIRD PARTY TECHNOLOGY OR INTELLECTUAL PROPERTY RIGHT, IS GRANTED HEREIN. SENSATA DATA SHEETS ARE PROVIDED "AS IS". SENSATA MAKES NO WARRANTIES OR REPRESENTATIONS WITH REGARD TO THE DATA SHEETS OR USE OF THE DATA SHEETS, EXPRESS, IMPLIED OR STATUTORY, INCLUDING ACCURACY OR COMPLETENESS. SENSATA DISCLAIMS ANY WARRANTY OF TITLE AND ANY IMPLIED WARRANTIES OF MERCHANTABILITY, FITNESS FOR A PARTICULAR PURPOSE, QUIET ENJOYMENT, QUIET POSSESSION, AND NON-INFRINGEMENT OF ANY THIRD PARTY INTELLECTUAL PROPERTY RIGHTS WITH REGARD TO SENSATA DATA SHEETS OR USE THEREOF.

All products are sold subject to Sensata's terms and conditions of sale supplied at www.sensata.com SENSATA ASSUMES NO LIABILITY FOR APPLICATIONS ASSISTANCE OR THE DESIGN OF BUYERS' PRODUCTS. BUYER ACKNOWLEDGES AND AGREES THAT IT IS SOLELY RESPONSIBLE FOR COMPLIANCE WITH ALL LEGAL, REGULATORY AND SAFETY-RELATED REQUIREMENTS CONCERNING ITS PRODUCTS, AND ANY USE OF SENSATA COMPONENTS IN ITS APPLICATIONS, NOTWITHSTANDING ANY APPLICATIONS-RELATED INFORMATION OR SUPPORT THAT MAY BE PROVIDED BY SENSATA.

Mailing Address: Sensata Technologies, Inc., 529 Pleasant Street, Attleboro, MA 02703, USA.

CONTACT US

Americas

+1 (508)-236-3287
 klixon@sensata.com
 Ask for AEROSPACE